

**Panasonic**  
BUSINESS

# New Nordic Tank PAW-TD20B8E3-1

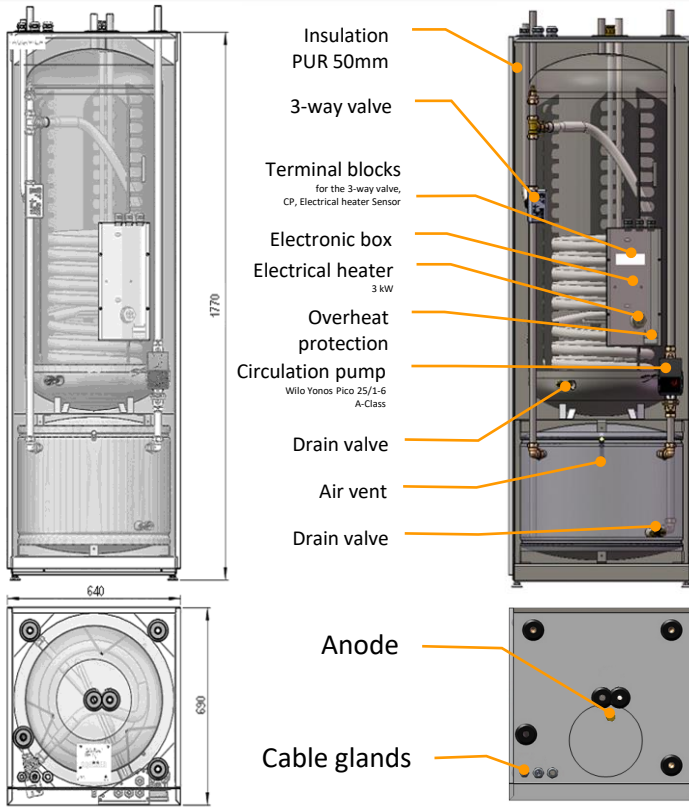


heating & cooling solutions

## Highlights

- 185 l DHW
- 3kW Booster conectable or not.
- 80 l Buffer Tank
- Water pump Wilo A Class
- Only hydraulic connections
- Include 3w valve
- Optimized for cooling

Perfect to combine with **Aquarea Monobloc**



# New Nordic Tank vs previous

1. Higher efficiency
2. Improved quality & better isolation for heating and cooling
3. Enamel tank

| Items   | PAW-TD20B8E3-NDS                      | <b>NEW</b> PAW-TD20B8E3-1                            |
|---|---------------------------------------|--|
| DHW tank (liters)   | 185                                   | 185  |
| Buffer tank (liters)                                      | 80                                    | 80   |
| Energy Rank (DHW / Buffer)                                | B / D                                 | B / B  |
| Dimension mm (H x W x D)                                  | 1810 x 600 x 632                      | 1770x640x690   |
| Water pump  | Wilco (Continuous running)<br>A Class | Wilco (Controlled by Aquarea)<br>A Class             |
| Inner tank  | DHW: Inox EN 1.4162                   | DHW: S275 JR vitrified (DIN 4753)                    |
| Heater DHW / Buffer                                       | 3kW / Optional                        | 3kW / No   |
| Others<br>DHW Drain Valve<br>Support base<br>Power supply | No<br>Standard Steel<br>230 / I / 50  | Yes<br>Galvanized Steel<br>From Aquarea H Generation |

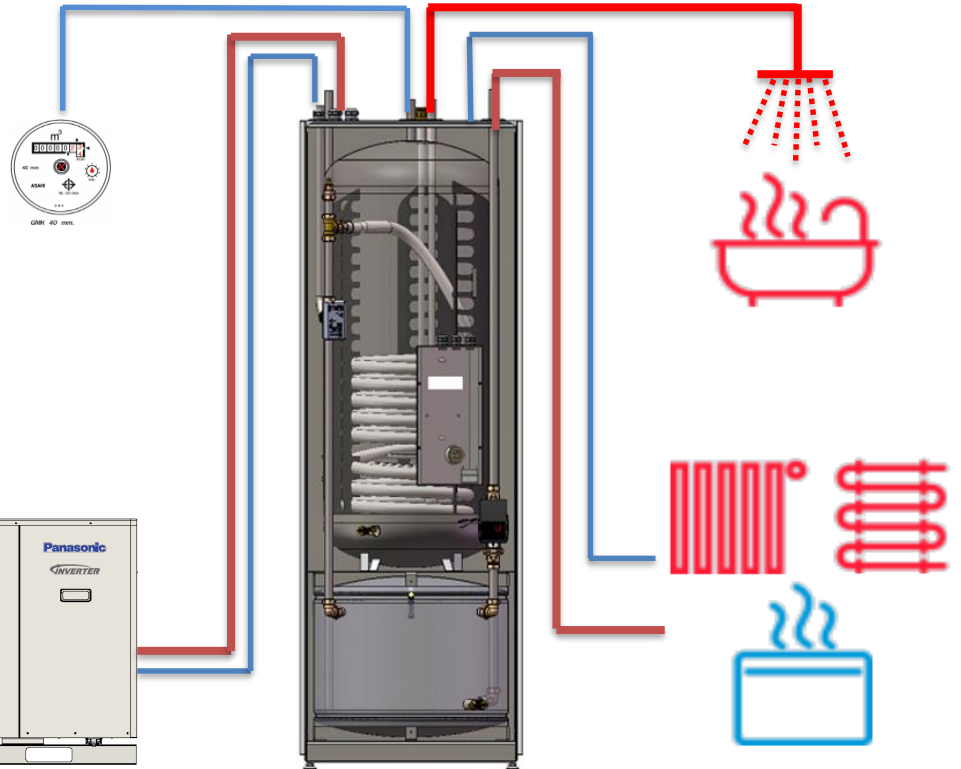
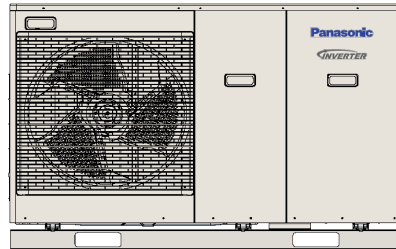
# Plumbers best choice

**Panasonic** BUSINESS

- ONLY hydraulic installation
- ONLY 2 elements (Monobloc + Tank)

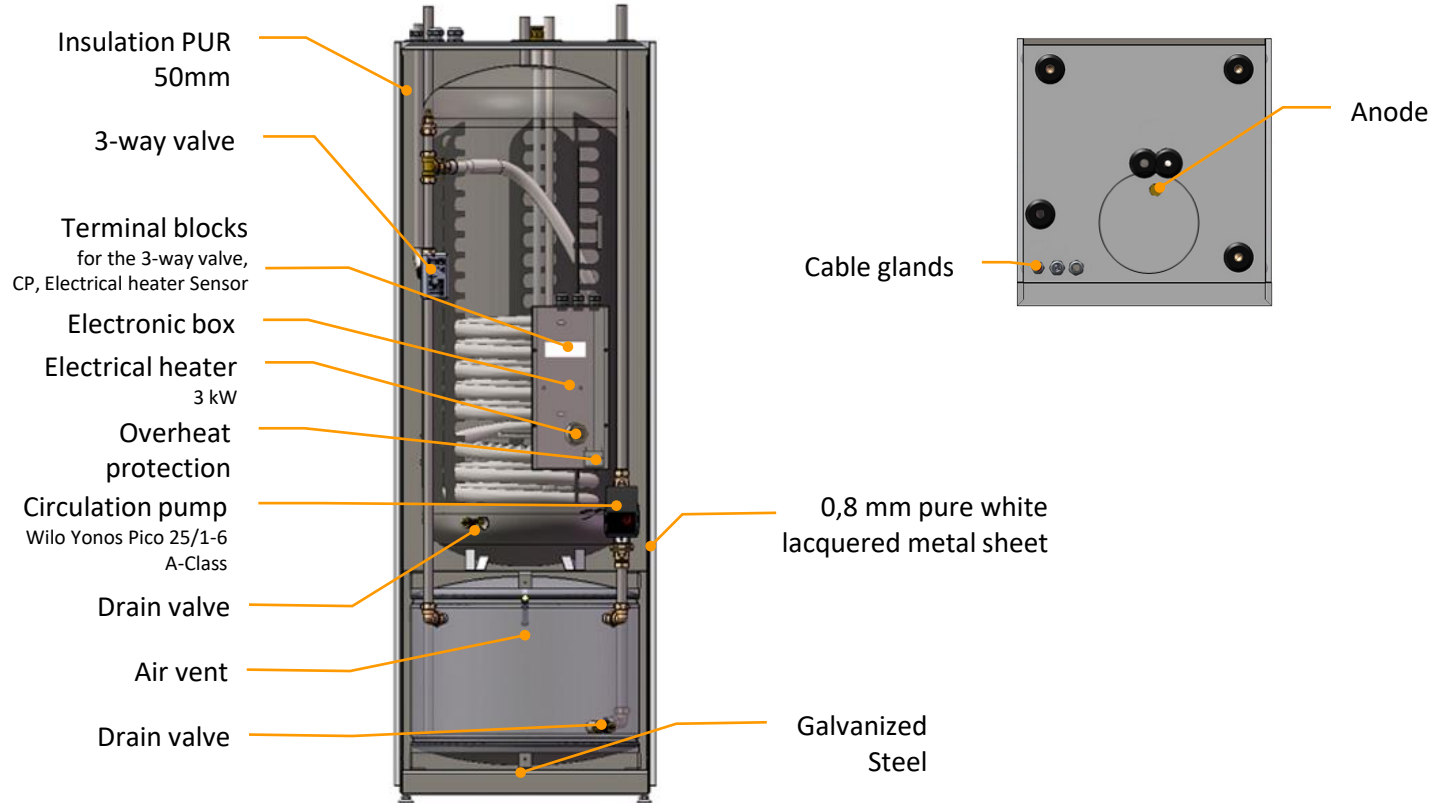


- LESS installation cost
- No F-GAS license required
- PUMBLERS Best choice



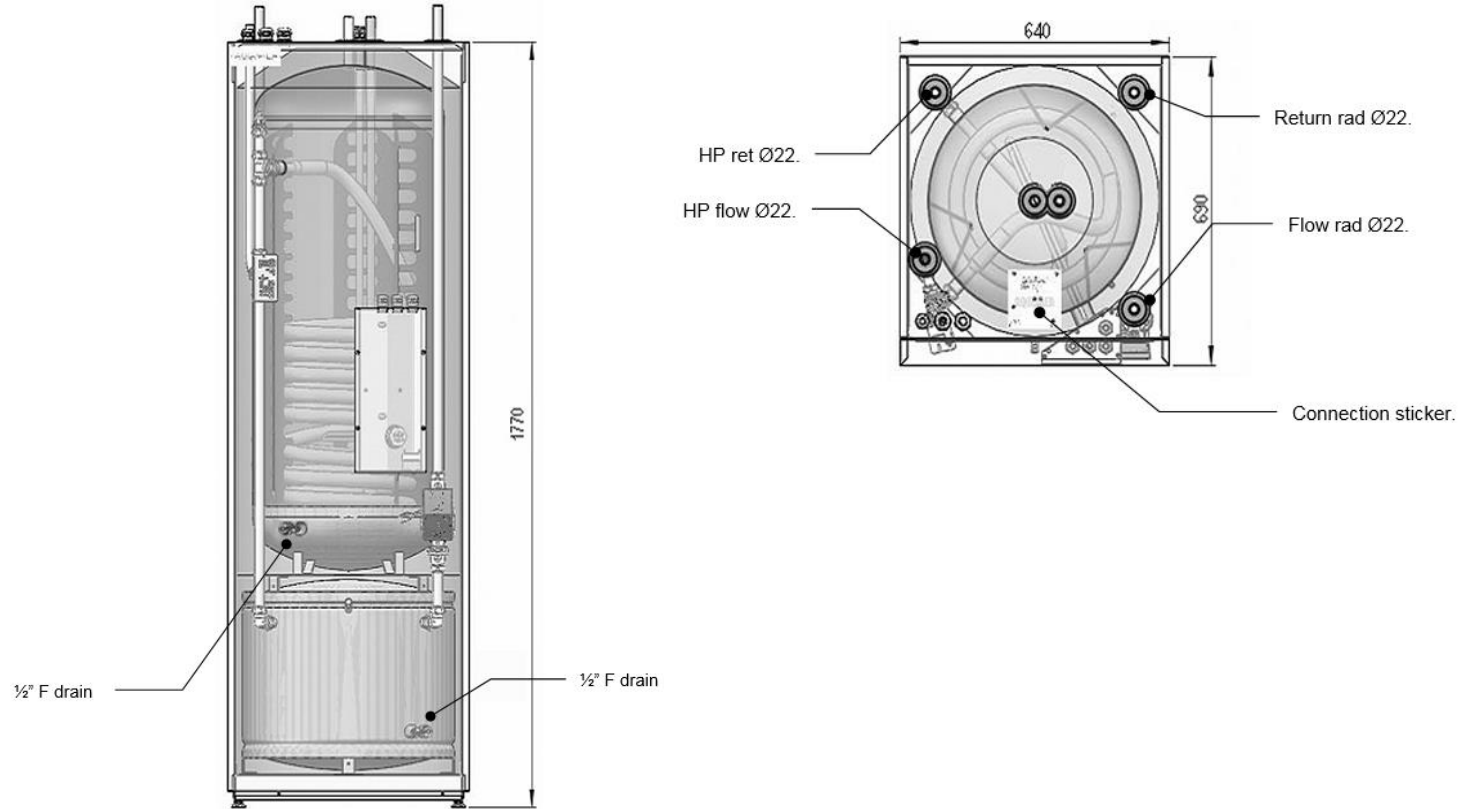
# New Nordic Tank Components

**Panasonic** BUSINESS



# New Nordic Tank Drawings

**Panasonic** BUSINESS



# **Panasonic**

**BUSINESS**

heating & cooling solutions